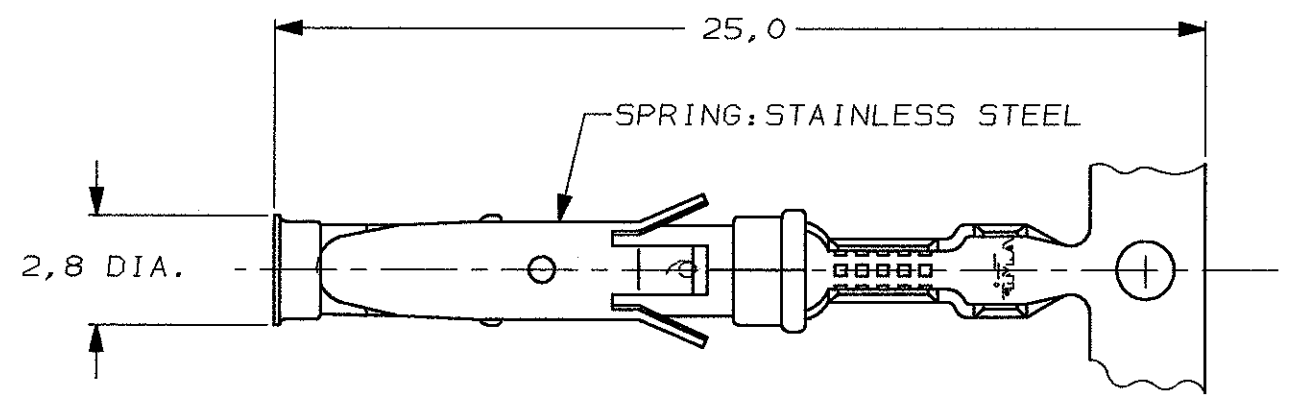


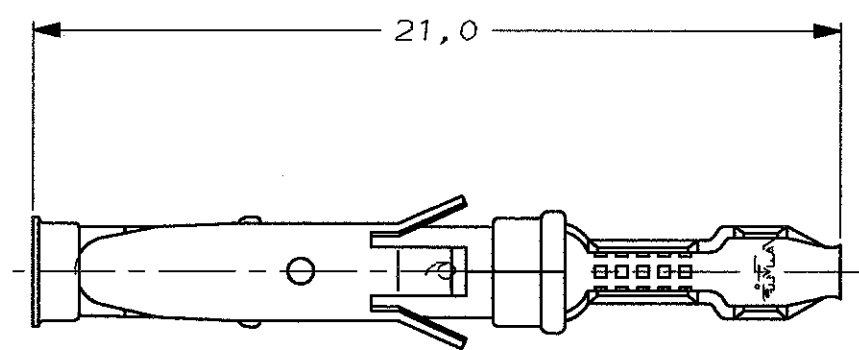
DO NOT SCALE  
DIMENSIONS IN mm

METRIC

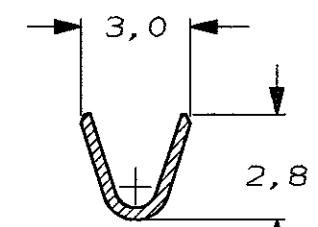
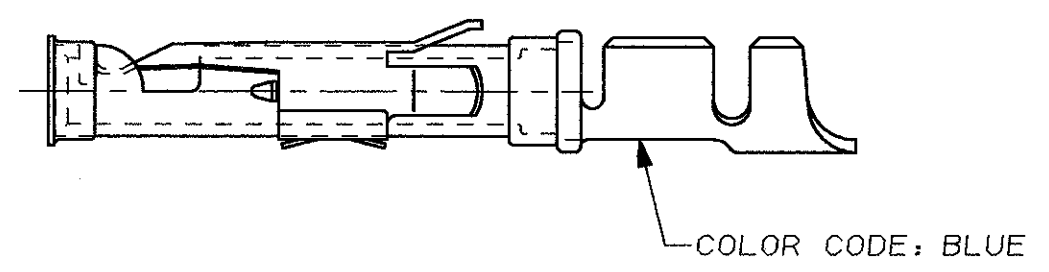
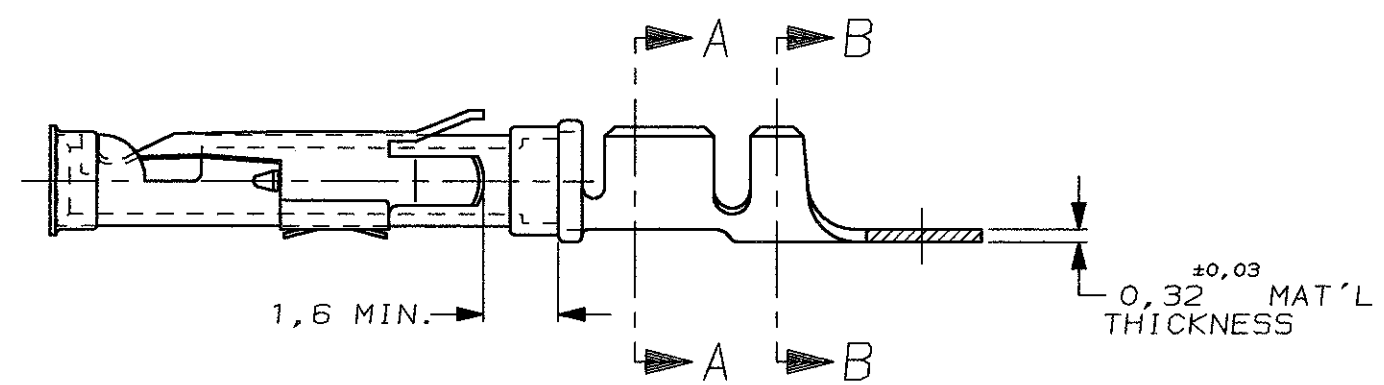
THIRD ANGLE  
PROJECTION



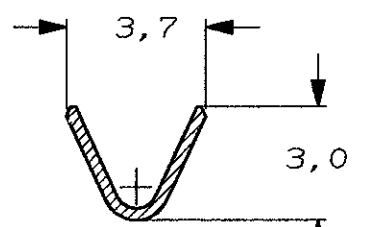
STRIP



LOOSE-PIECE



SECTION A-A



SECTION B-B

WIRE RANGE : 0,75-1,50 mm<sup>2</sup> (18-16 AWG)  
INSUL. RANGE : 2,0 -2,5 mm (.080-.100)

DIRECTION OFF TOP OF REEL  
AMPOMATOR + MINI-APPL.  
107-3-F16.1  $\triangle A$   
107-3-F16.2  $\triangle B$   
107-3-F16.4  $\triangle C$

5-163083-3	$\triangle A$	$\triangle C$		BRASS	ECON. GOLD	$\triangle 21$
5-163083-2	$\triangle 1$	$\triangle 4$	$\triangle C$	BRASS	SEL. GOLD	$\triangle 22$
5-163083-1	$\triangle 1$	$\triangle 4$	$\triangle C$	BRASS	EL. TIN	$\triangle 20$
1-163083-4		$\triangle A$	1-163084-4	BRASS	EL. TIN	$\triangle 31$ $\triangle 20$
1-163083-3		$\triangle A$	1-163084-3	BRASS	BR. TIN/LEAD	$\triangle 30$
1-163083-2		$\triangle A$		BRASS	SILVER	$\triangle 28$
1-163083-1		$\triangle A$		BRASS	ECON. GOLD	$\triangle 21$
1-163083-0		$\triangle B$	1-163084-0	BRASS	ECON. GOLD	$\triangle 21$
163083-9		$\triangle B$		BRASS	SILVER	$\triangle 28$
163083-8		$\triangle A$		BRASS	EL. TIN	$\triangle 20$
163083-7		$\triangle A$		BRASS	SEL. GOLD	$\triangle 22$
163083-2	$\triangle 1$	$\triangle B$	163084-2	BRASS	SEL. GOLD	$\triangle 22$
163083-1	$\triangle 1$	$\triangle B$	163084-1	BRASS	EL. TIN	$\triangle 20$
PARTNUMBER	DIRECTION OF REEL	LOOSE-PIECE	MATERIAL	PLATING		

NOTES	MATERIAL	THICKNESS	AREA
$\triangle 20$	TIN	2,0 $\mu$ m	ALL OVER
$\triangle 21$	NICKEL GOLD TIN/LEAD	0,8 $\mu$ m	ALL OVER CONTACT AREA BARREL
$\triangle 22$	NICKEL GOLD GOLD	0,8 $\mu$ m	ALL OVER CONTACT AREA ALL OVER
$\triangle 23$	NICKEL GOLD GOLD	1,2 $\mu$ m	ALL OVER CONTACT AREA ALL OVER
$\triangle 24$	NICKEL SILVER TIN/LEAD	2,5 $\mu$ m	ALL OVER CONTACT AREA BARREL
$\triangle 25$	SILVER NICKEL	1,5-2,5 $\mu$ m 0,76 $\mu$ m	ALL OVER ALL OVER
$\triangle 26$	SILVER	2,5 $\mu$ m	ALL OVER
$\triangle 27$	NICKEL TIN/LEAD	1,27 $\mu$ m 1,27 $\mu$ m	ALL OVER ALL OVER
$\triangle 31$	LUBRICATED		

REV.	DESCRIPTION	DR.	CHK.	DATE	
AZ	EBD0-0003-05	AM	FWK	05/01/05	
AY	EBD0-0335-04	JMS	FWK	02/08/04	
V	EH-1020-98	D.K.	R.V.	08 JUL 98	
U	EH-1347-96	JvL	RV	21-11-96	
T	EH-0302-94	JvL	MvD	03-05-94	
S	ECN H-9813	JvdH	RD	18-05-92	
R	ECN H-9192	MvD	RD	09-10-91	
LTR.	REVISION RECORD	DR.	CHK.	DATE	
DR.	-	CHK.	-	APP.	-
DATE:	-	DATE:	-	DATE:	-

**CUSTOMER DRAWING** FOR REFERENCE ONLY  
WILL NOT BE UPDATED

© COPYRIGHT 19- BY AMP HOLLAND B.V.  
ALL INTERNATIONAL RIGHTS RESERVED. AMP PRODUCTS MAY BE  
COVERED BY U.S. AND FOREIGN AND/OR PATENTS PENDING.  
THIS DRAWING IS UNPUBLISHED  
RELEASED FOR PUBLICATION \_\_\_\_\_, 19\_\_\_\_

**AMP** | AMP HOLLAND B.V.  
's-Hertogenbosch,  
The Netherlands.

NAME \_\_\_\_\_

**SOCKET TYPE III CONTACT  
SIZE 16**

DWG. No. 163083  
REV. LTR. SHEET  
AZ 1 OF 1 A3